

SIRCOVER

Manual transfer switches

from 125 to 3200 A



SIRCOVER
3200 A

Function

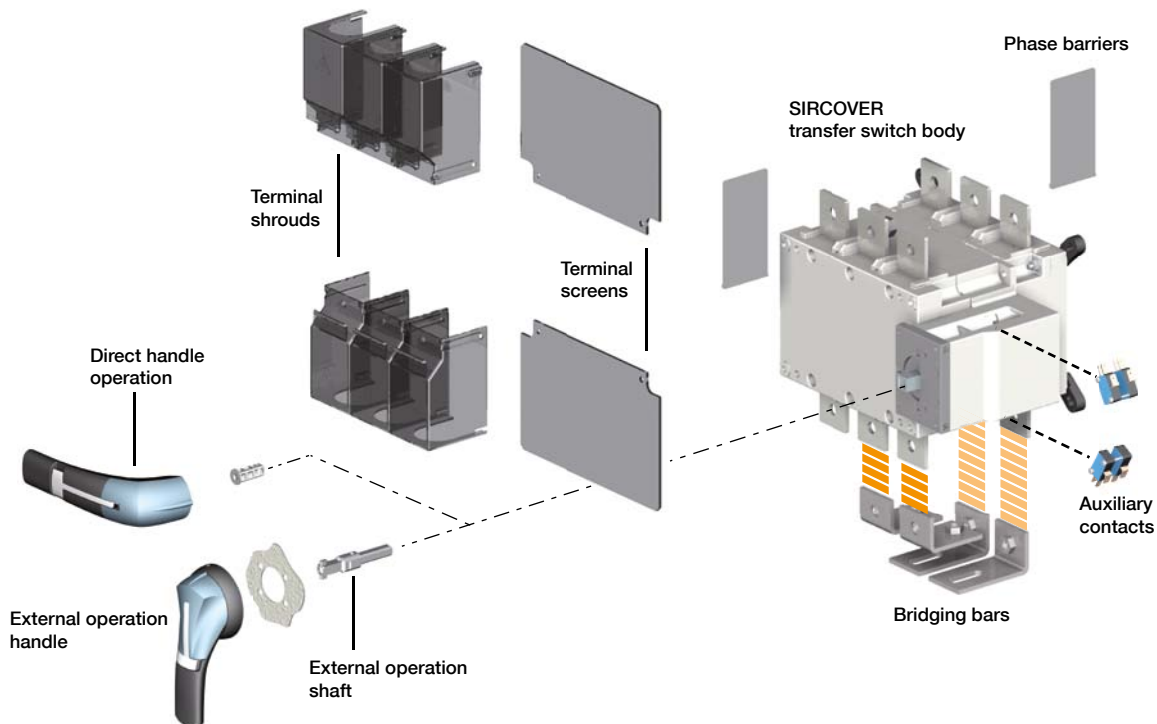
SIRCOVER are manual multipolar transfer switches with positive break indication.

The family includes two ranges:

- SIRCOVER AC for dead time switching (I-0-II),
- SIRCOVER for overlapping contact switching (I-I+II-II).

They provide switching, source inversion and changeover under load for two low voltage power circuits, as well as their safety isolation by double breaking per pole.

Description



References

Description	No. of poles	Part number	Operation type	Particularity
SIRCOVER AC	3 P	41AC 3***	Front	Dead time switching (I-0-II)
	4 P	41AC 4***		
SIRCOVER	3 P	4190 3***	Front	Overlapping contact switching (I-I+II-II)
	4 P	4190 4***		

** - stands for a two characters of a partnumber depending on the rating of the switch

SIRCOVER AC - Characteristics according to IEC 60947-3 and IEC 60947-6-1 125 to 630 A / B3 to B5

Thermal current I_{th} at 40°C	125 A	160 A	200 A	250 A	315A	400 A	500 A	630 A
Frame size	B3	B3	B3	B4	B4	B4	B5	B5
Rated insulation voltage U_i (V)	800	800	800	1000	1000	1000	1000	1000
Rated impulse withstand voltage U_{imp} (kV)	8	8	8	12	12	12	12	12
Rated operational currents I_e (A) according to IEC 60947-6-1								
Rated voltage	Utilisation category	A/B⁽¹⁾	A/B⁽¹⁾	A/B⁽¹⁾	A/B⁽¹⁾	A/B⁽¹⁾	A/B⁽¹⁾	A/B⁽¹⁾
415 VAC	AC-31 A / AC-31 B	125	160	200	250	315	400	500
415 VAC	AC-32 A / AC-32 B				200	315	400	500
415 VAC	AC-33 A / AC-33 B				200	200	200	400
Rated operational currents I_e (A) according to IEC 60947-3								
Rated voltage	Utilisation category	A/B⁽¹⁾	A/B⁽¹⁾	A/B⁽¹⁾	A/B⁽¹⁾	A/B⁽¹⁾	A/B⁽¹⁾	A/B⁽¹⁾
415 VAC	AC-20 A / AC-20 B	125/125	160/160	200/200	250/250	315/315	400/400	500/500
415 VAC	AC-21 A / AC-21 B	125/125	160/160	200/200	250/250	315/315	400/400	500/500
415 VAC	AC-22 A / AC-22 B	125/125	160/160	200/200	250/250	315/315	400/400	500/500
415 VAC	AC-23 A / AC-23 B	125/125	160/160	200/200	200/200	315/315	400/400	500/500
500 VAC	AC-20 A / AC-20 B	125/125	160/160	200/200	250/250	315/315	400/400	500/500
500 VAC	AC-21 A / AC-21 B	125/125	160/160	200/200	250/250	315/315	400/400	500/500
500 VAC	AC-22 A / AC-22 B	125/125	160/160	200/200	200/250	200/315	200/400	500/500
500 VAC	AC-23 A / AC-23 B	80/80	80/80	80/80	200/200	200/200	200/200	400/400
690 VAC ⁽⁷⁾	AC-20 A / AC-20 B	125/125	160/160	200/200	250/250	315/315	400/400	500/500
690 VAC ⁽⁷⁾	AC-21 A / AC-21 B	125/125	160/160	200/200	200/200	200/200	200/200	500/500
690 VAC ⁽⁷⁾	AC-22 A / AC-22 B	125/125	125/125	125/125	160/160	160/160	160/160	400/400
690 VAC ⁽⁷⁾	AC-23 A / AC-23 B	63/80	63/80	63/80	125/125	125/125	125/125	400/400
Operational power in AC-23 (kW)								
At 400 VAC without pre-break in AC ⁽³⁾		63/63	80/80	80/80	132/132	132/132	280/280	280/280
At 690 VAC without pre-break in AC ⁽³⁾		55/75	55/75	55/75	90/110	90/110	150/185	150/185
Reactive power (kvar)								
At 415 VAC		55	75	90	115	145	185	230
Fuse protected short-circuit withstand as per IEC 60947-3 at 690 VAC								
Prospective short-circuit current (kA rms)		100 ⁽⁵⁾	100 ⁽⁵⁾	50 ⁽⁵⁾	50	50	50	50
Associated fuse rating (A)		125	160	200	250	315	400	500
Circuit breaker protected short-circuit withstand with any circuit breaker that ensures tripping in less than 0.3s⁽⁴⁾								
Rated short-time withstand current $0.3s I_{cw}$ (kA rms)		12 ⁽⁵⁾	12 ⁽⁵⁾	12 ⁽⁵⁾	15	15	15	17
Short-circuit withstand without protection as per IEC 60947-3 at 690 VAC								
Rated short-time withstand current $1s I_{cw}$ (kA rms)		7 ⁽⁵⁾	7 ⁽⁵⁾	7 ⁽⁵⁾	8	8	8	10
Rated peak withstand current (kA peak)		20	20	20	30	30	30	45
Rated short-time withstand current $60ms I_{cw}$ (kA rms) as per IEC 60947-6-1 at 415 VAC					10 ⁽⁶⁾	10 ⁽⁶⁾	10 ⁽⁶⁾	12.6
Connection								
Minimum Cu cable cross-section (mm ²)		35	50	70	95	150	185	240
Minimum Cu busbar cross-section (mm ²)								2 x 150
Maximum Cu cable cross-section (mm ²)		50	95	120	150	240	240	2 x 30 x 5
Maximum Cu busbar width (mm)		25	25	25	32	32	32	50
Tightening torque mini / maxi (Nm)		9/13	9/13	9/13	20/26	20/26	20/26	20/26
Mechanical characteristics								
Durability (number of operating cycles)		10 000	10 000	10 000	8 000	8 000	5 000	5 000
Weight of 3 P switch (kg)		2.9	2.9	2.9	3.8	3.9	3.9	8.6
Weight of 4 P switch (kg)		4.1	4.1	4.1	4.6	4.9	4.9	11.1

(1) Category with index A = frequent operation -
 Category with index B = infrequent operation.

(2) 3-pole device with 2 pole in series for the "+", and 1 pole for the "-".
 4-pole device with 2 poles in series by polarity.

(3) The power value is given for information only, the current values vary from one manufacturer to another.

(4) Value for coordination with any circuit-breaker that ensures tripping in less than 0.3s. For coordination with specific circuit-breaker references, higher short-circuit current values are available. Please consult us.

(5) Data at 415 VAC

(6) Data at 30ms

(7) With terminal shrouds or phase barrier.

SIRCOVER

Manuel transfer switches

from 125 to 3200 A

800 to 3200 A / B6 to B8

Thermal current I_{th} at 40°C	800 A	1000 A	1250 A	1600 A	2000 A	2500 A	3200 A
Frame size	B6	B6	B6	B7	B8	B8	B8
Rated insulation voltage U_i (V)	1000	1000	1000	1000	1000	1000	1000
Rated impulse withstand voltage U_{imp} (kV)	12	12	12	12	12	12	12

Rated operational currents I_e (A) according to IEC 60947-6-1

Rated voltage	Utilisation category	A/B ⁽¹⁾	A/B ⁽¹⁾	A/B ⁽¹⁾	A/B ⁽¹⁾	A/B ⁽¹⁾	A/B ⁽¹⁾	A/B ⁽¹⁾
415 VAC	AC-31 A / AC-31 B	800	1000	1250	1600	2000	2500	3200
415 VAC	AC-32 A / AC-32 B	800	1000	1250	1600	2000	2000	2000
415 VAC	AC-33 A / AC-33 B	800	800	800	1000	1250	1250	1250

Rated operational currents I_e (A) according to IEC 60947-3

Rated voltage	Utilisation category	A/B ⁽¹⁾	A/B ⁽¹⁾	A/B ⁽¹⁾	A/B ⁽¹⁾	A/B ⁽¹⁾	A/B ⁽¹⁾	A/B ⁽¹⁾
415 VAC	AC-20 A / AC-20 B	800/800	1000/1000	1250/1250	1600/1600	2000/2000	2500/2500	3200/3200
415 VAC	AC-21 A / AC-21 B	800/800	1000/1000	1250/1250	1600/1600	-/2000	-/2500	-/3200
415 VAC	AC-22 A / AC-22 B	800/800	1000/1000	1250/1250	1600/1600	-/2000	-/2500	-/3200
415 VAC	AC-23 A / AC-23 B	800/800	1000/1000	1250/1250	1250/1250	-/1600	-/1600	-/1600
500 VAC	AC-20 A / AC-20 B	800/800	1000/1000	1250/1250	1600/1600	2000/2000	2500/2500	3200/3200
500 VAC	AC-21 A / AC-21 B	800/800	1000/1000	1250/1250	1600/1600	-/2000	-/2500	-/3200
500 VAC	AC-22 A / AC-22 B	630/630	800/800	1000/1000	1600/1600			
500 VAC	AC-23 A / AC-23 B	400/400	630/630	800/800	1000/1000			
690 VAC ⁽⁵⁾	AC-20 A / AC-20 B	800/800	1000/1000	1250/1250	1600/1600	2000/2000	2500/2500	3200/3200
690 VAC ⁽⁵⁾	AC-21 A / AC-21 B	800/800	1000/1000	1250/1250	1600/1600	-/2000	-/2500	-/3200
690 VAC ⁽⁵⁾	AC-22 A / AC-22 B	630/630	800/800	1000/1000	1000/1000			
690 VAC ⁽⁵⁾	AC-23 A / AC-23 B	400/400	630/630	800/800	800/800			

Operational power in AC-23 (kW)

At 400 VAC without pre-break in AC ⁽³⁾	710/710	710/710	710/710	710/710	710/710			
At 690 VAC without pre-break in AC ⁽³⁾	185/220	475/475	475/475	750/750	750/750			

Reactive power (kvar)

At 400 VAC ⁽⁵⁾	365	460	575					
---------------------------	-----	-----	-----	--	--	--	--	--

Fuse protected short-circuit withstand as per IEC 60947-3 at 415 VAC

Prospective short-circuit current (kA rms)	50	100	100	100				
Associated fuse rating (A)	800	1000	1250	2 x 800				

Circuit breaker protected short-circuit withstand with any circuit breaker that ensures tripping in less than 0.3s⁽⁴⁾

Rated short-time withstand current 0.3s I_{cw} (kA rms)	47	64	64	78	78	78	78
---	----	----	----	----	----	----	----

Short-circuit withstand without protection as per IEC 60947-3 at 415 VAC

Rated short-time withstand current 1s I_{cw} (kA rms)	26	35	35	50	50	50	50
Rated peak withstand current (kA peak)	55	55	80	110	110	110	120
Rated short-time withstand current 60ms I_{cw} (kA rms) as per IEC 60947-6-1 at 415 VAC	16	20	25	32	40	50	50

Connection

Minimum Cu cable cross-section (mm ²)	2 x 185	2 x 240					
Minimum Cu busbar cross-section (mm ²)	2 x 40 x 5	2 x 50 x 5	2 x 60 x 5	2 x 80 x 5	2 x 100 x 10	2 x 100 x 10	2 x 100 x 10
Maximum Cu cable cross-section (mm ²)	2 x 300	4 x 185	4 x 185	6 x 185			
Maximum Cu busbar width (mm)	63	63	63	100	100	100	100
Tightening torque min (Nm)	20/26	20/26	20/26	40/45	40/45	40/45	40/45

Mechanical characteristics

Durability (number of operating cycles)	4 000	4 000	4 000	3 000	3 000	3 000	3 000
Weight of a 3 pole device (kg)	20.5	21.0	21.6	25.7	42.0	42.0	52.3
Weight of a 4 pole device (kg)	24.8	25.6	26.2	32.0	52.9	52.9	66.6

(1) Category with index A = frequent operation -
Category with index B = infrequent operation.

(2) 3-pole device with 2 pole in series for the "+" and 1 pole for the "-".
4-pole device with 2 poles in series by polarity.

(3) The power value is given for information only, the current values vary from one manufacturer to another.

(4) Value for coordination with any circuit-breaker that ensures tripping in less than 0.3s. For coordination with specific circuit-breaker references, higher short-circuit current values are available. Please consult us.

(5) Data at 415 VAC.

(6) With terminal shrouds or phase barrier.

Product integration data in compliance with IEC / EN 61439-1

Below listed data is applicable to :

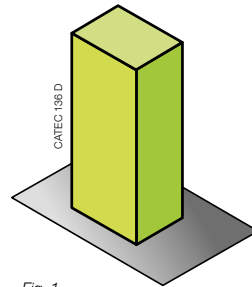
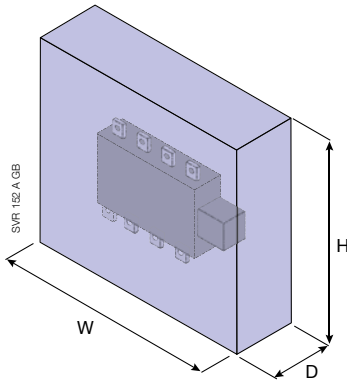


Fig. 1
Enclosure

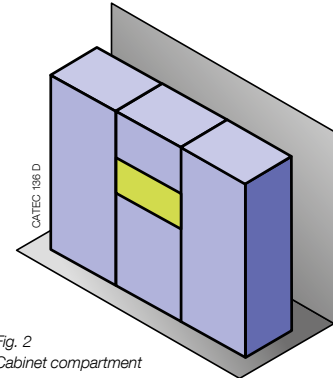


Fig. 2
Cabinet compartment

Dimensions of the Functional Unit			Mounting		Max operational current, I _o (A)								
H (mm)	W (mm)	D (mm)	Enclosure	Orientation	125 A	160 A	200 A	250 A	315 A	400 A	500 A	630 A	
400	500	320	Fig. 1/2	V ⁽²⁾	125	160	200	250	300	370			
			Fig. 1/2	H ⁽²⁾	125	150	180	250	290	330			
600	500	330	Fig. 1/2	V ⁽²⁾					315	400	470	500	
			Fig. 1/2	H ⁽²⁾					300	360	450	500	
800	600	400	Fig. 1	V ⁽²⁾							500	630	
					Min cross-section, mm²								
Insulated flat copper braids (mm ²)					25	25	50	50	120	120	240	240	
Cable (mm ²)					50	70	95	120	185	240	2 x 150	2 x 185	
Cu busbar (mm ²)											2 x 30 x 5	2 x 40 x 5	

Dimensions of the Functional Unit			Mounting		Max operational current, I _o (A)						
H (mm)	W (mm)	D (mm)	Enclosure	Orientation	800 A	1000 A	1250 A	1600 A	2000 A	2500 A	3200 A
1000	800	650	Fig. 1	V ⁽²⁾	800	1000	1000	1450	2000 ⁽¹⁾	2350 ⁽¹⁾	2750 ⁽¹⁾
			Fig. 1	H ⁽²⁾	750	900	950	1375	2000 ⁽¹⁾	2300 ⁽¹⁾	2550 ⁽¹⁾
800	800	600	Fig. 1/2	V ⁽²⁾	800	900	950	1375	2000 ⁽¹⁾	2250 ⁽¹⁾	2700 ⁽¹⁾
			Fig. 1/2	H ⁽²⁾	750	850	900	1300	2000 ⁽¹⁾	2200 ⁽¹⁾	2500 ⁽¹⁾
					Min cross-section, mm²						
Cable (mm ²)					2 x 240	4 x 150	4 x 185	4 x 240	8 x 150	8 x 185	8 x 240
Cu busbar (mm ²)					2 x 50 x 5	2 x 60 x 5	2 x 80 x 5	2 x 100 x 5	2 x 100 x 10	2 x 100 x 10	3 x 100 x 10

(1) Mounted with connection part 26191200

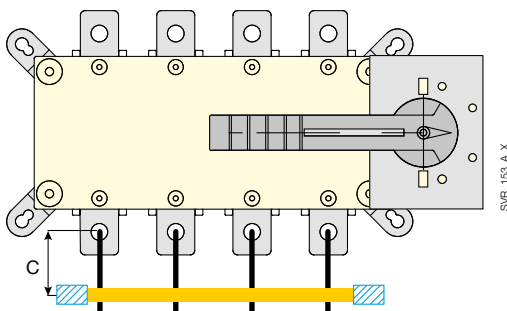
(2) V: vertical mounting; H: horizontal mounting

Heat dissipation								
Rating (A)	125	160	200	250	315	400	500	630
Switch heat dissipation W/pole	1.9	3.2	4.1	5.9	7.8	15.1	17	32.4

Maximum ambient temperature	
External	35 °C
Internal	60 °C

Heat dissipation								
Rating (A)	800	1000	1250	1600	1800	2000	2500	3200
Switch heat dissipation W/pole	41.7	46.9	93.3	122	153	178	255	330

Wiring requirements



Recommended tightening torque	Maximum tightening torque
M6: 4.5 N.m	M6: 5.4 N.m
M8: 8.3 N.m	M8: 13 N.m
M10: 20 N.m	M10: 26 N.m
M12: 40 N.m	M12: 45 N.m

C - Min power cable length	400 mm
C - Min distance to first cable fixing support	400 mm

SIRCOVER

Manuel transfer switches

from 125 to 3200 A

Circuit breaker protected short-circuit withstand*

Serie	In	Icu	SIEMENS SENTRON VL 160X	SIEMENS SENTRON VL 160	SIEMENS SENTRON VL 250	SIEMENS SENTRON VL 400	SIEMENS SENTRON VL 630	SIEMENS SENTRON VL 800	SIEMENS SENTRON VL 1200	SIEMENS SENTRON VL 1600	SIEMENS SENTRON VF 1250	SIEMENS SENTRON VL 2500
			3VL1 70 kA	3VL2 100 kA	3VL3 100 kA	3VL4 100 kA	3VL5 100 kA	3VL6 100 kA	3VL7 100 kA	3VL8 100 kA	3VF7 68 kA	3VF8 64 kA
SIRCOVER	125 A	27	25	-	-	-	-	-	-	-	-	-
	160 A	27	25	-	-	-	-	-	-	-	-	-
	200 A	27	25	-	-	-	-	-	-	-	-	-
	250 A	54	48	43	-	-	-	-	-	-	-	-
	315 A	T	T	T	26	23	21	-	-	-	-	-
	400 A	T	T	T	26	23	21	-	-	-	-	-
	500 A	T	T	T	53	46	40	-	-	-	-	-
	630 A	T	T	T	53	46	40	-	-	-	-	-
	800 A	T	T	T	80	70	63	27	27	-	-	-
	1000 A	T	T	T	T	T	T	47	47	44	40	40
	1250 A	T	T	T	T	T	T	47	47	44	40	40
	1600 A	T	T	T	T	T	T	T	75	T	64	64
	1800 A	T	T	T	T	T	T	T	T	T	64	64
	2000 A	T	T	T	T	T	T	T	T	T	T	T
2500 A	T	T	T	T	T	T	T	T	T	T	T	
3200 A	T	T	T	T	T	T	T	T	T	T	T	

Serie	In	Icu	SCHNEIDER NS & NSX 160/250						SCHNEIDER NS & NSX 400			SCHNEIDER NS & NSX 630 (+800L)			SCHNEIDER NS 1000	SCHNEIDER NS 800/1000/1250/1600		SCHNEIDER Masterpact NT	SCHNEIDER Masterpact NW	SCHNEIDER Masterpact NW
			E	NE	N	SX	H	L	N	H	L	N	H	L	L	N	H	L1	L1	H3
			16 kA	25 kA	36 kA	50 kA	70 kA	150 kA	45 kA	70 kA	150 kA	45 kA	70 kA	150 kA	150 kA	50 kA	70 kA	130 kA	150 kA	150 kA
SIRCOVER	125 A	T	T	T	43	57	57	T	53	-	-	-	-	-	-	-	-	-	-	-
	160 A	T	T	T	43	57	57	T	53	-	-	-	-	-	-	-	-	-	-	-
	200 A	T	T	T	43	57	57	T	53	-	-	-	-	-	-	-	-	-	-	-
	250 A	T	T	T	T	T	T	T	53	53	-	-	-	-	-	-	-	-	-	-
	315 A	T	T	T	T	T	T	T	53	53	-	-	-	-	-	-	-	-	-	-
	400 A	T	T	T	T	T	T	T	53	53	37	37	37	-	-	-	-	-	-	-
	500 A	T	T	T	T	T	T	T	T	T	T	T	100	43	24	24	-	-	-	-
	630 A	T	T	T	T	T	T	T	T	T	T	T	100	43	24	24	-	-	-	-
	800 A	T	T	T	T	T	T	T	T	T	T	T	T	70	28	28	-	-	-	-
	1000 A	T	T	T	T	T	T	T	T	T	T	T	T	T	38	38	-	-	-	-
	1250 A	T	T	T	T	T	T	T	T	T	T	T	T	T	38	38	-	-	-	-
	1600 A	T	T	T	T	T	T	T	T	T	T	T	T	T	T	53	T	60	52	52
	1800 A	T	T	T	T	T	T	T	T	T	T	T	T	T	T	T	T	60	52	52
	2000 A	T	T	T	T	T	T	T	T	T	T	T	T	T	T	T	T	70	57	57
2500 A	T	T	T	T	T	T	T	T	T	T	T	T	T	T	T	T	70	57	57	
3200 A	T	T	T	T	T	T	T	T	T	T	T	T	T	T	T	T	70	57	57	

* - Subjected to MCCB's short circuit current limiting curves reading precision and data.

T- coordination possible up to the Max Icu value of the breaker

Values are based on characteristics published by breaker manufacturers at the time of the publication. Socomec cannot be held responsible for any modifications of those characteristics or for non-performance of circuit breakers

Circuit breaker protected short-circuit withstand* (continued)

Serie	In	ABB TMAX T1			ABB TMAX T2				ABB TMAX T3			ABB TMAX T4					ABB TMAX T5					ABB TMAX T6				ABB TMAX T7				ABB EMAX E2	ABB EMAX E3
		B	C	N	N	S	H	L	N	S	N	S	H	L	V	N	S	H	L	V	N	S	H	L	S	H	L	V	E2L	E3L	
		16 kA	25 kA	36 kA	36 kA	50 kA	70 kA	85 kA	36 kA	50 kA	36 kA	50 kA	70 kA	120 kA	200 kA	36 kA	50 kA	70 kA	120 kA	200 kA	36 kA	50 kA	70 kA	100 kA	50 kA	70 kA	120 kA	150 kA	130 kA	130 kA	
ATYS	125 A	T	T	T	T	T	T	T	-	-	-	-	-	-	-	-	-	-	-	-	-	-	-	-	-	-	-	-	-		
	160 A	T	T	T	T	T	T	T	-	-	-	-	-	-	-	-	-	-	-	-	-	-	-	-	-	-	-	-	-		
	200 A	T	T	T	T	T	T	T	-	-	-	-	-	-	-	-	-	-	-	-	-	-	-	-	-	-	-	-	-		
	250 A	T	T	T	T	T	T	T	T	T	T	T	T	100	100	-	-	-	-	-	-	-	-	-	-	-	-	-	-		
	315 A	T	T	T	T	T	T	T	T	T	T	T	T	100	100	-	-	-	-	-	-	-	-	-	-	-	-	-	-		
	400 A	T	T	T	T	T	T	T	T	T	T	T	T	100	100	T	40	40	40	40	-	-	-	-	-	-	-	-	-		
	500 A	T	T	T	T	T	T	T	T	T	T	T	T	T	T	T	T	T	100	100	T	40	40	40	-	-	-	-	-		
	630 A	T	T	T	T	T	T	T	T	T	T	T	T	T	T	T	T	T	100	100	T	40	40	40	-	-	-	-	-		
	800 A	T	T	T	T	T	T	T	T	T	T	T	T	T	T	T	T	T	T	T	55	55	25	25	25	30	-	-	-		
	1000 A	T	T	T	T	T	T	T	T	T	T	T	T	T	T	T	T	T	T	T	T	40	40	40	60	-	-	-	-		
	1250 A	T	T	T	T	T	T	T	T	T	T	T	T	T	T	T	T	T	T	T	T	40	40	40	60	-	-	-	-		
	1600 A	T	T	T	T	T	T	T	T	T	T	T	T	T	T	T	T	T	T	T	T	60	60	100	70	55	-	-	-		
	1800 A	T	T	T	T	T	T	T	T	T	T	T	T	T	T	T	T	T	T	T	T	60	60	100	70	55	-	-	-		
2000 A	T	T	T	T	T	T	T	T	T	T	T	T	T	T	T	T	T	T	T	T	70	100	80	60	-	-	-	-			

Serie	In	LEGRAND DPX 125/160			LEGRAND DPX 250			LEGRAND DPX 250 ER			LEGRAND DPX 630			LEGRAND DPX 1250/1600			LEGRAND DMX3 630/.../2500		
		ER																	
		25 kA	36 kA	50 kA	36 kA	50 kA	100 kA	25 kA	36 kA	50 kA	36 kA	70 kA	100 kA	50 kA	70 kA	100 kA	50 kA	65 kA	100 kA
ATYS	125 A	T	T	T	20	20	20	T	25	25	-	-	-	-	-	-	-	-	
	160 A	T	T	T	20	20	20	T	25	25	-	-	-	-	-	-	-	-	
	200 A	T	T	T	20	20	20	T	25	25	-	-	-	-	-	-	-	-	
	250 A	T	T	T	T	43	43	T	T	T	28	28	28	-	-	-	-	-	
	315 A	T	T	T	T	43	43	T	T	T	28	28	28	-	-	-	-	-	
	400 A	T	T	T	T	43	43	T	T	T	28	28	28	-	-	-	-	-	
	500 A	T	T	T	T	T	T	T	T	T	T	T	T	-	-	-	-	-	
	630 A	T	T	T	T	T	T	T	T	T	T	T	T	-	-	-	-	-	
	800 A	T	T	T	T	T	T	T	T	T	T	T	T	34	34	34	-	-	
	1000 A	T	T	T	T	T	T	T	T	T	T	T	T	46	46	46	-	-	
	1250 A	T	T	T	T	T	T	T	T	T	T	T	T	46	46	46	-	-	
	1600 A	T	T	T	T	T	T	T	T	T	T	T	T	T	70	70	T	T	
	1800 A	T	T	T	T	T	T	T	T	T	T	T	T	T	70	70	T	T	
2000 A	T	T	T	T	T	T	T	T	T	T	T	T	T	T	T	T	T		
2500 A	T	T	T	T	T	T	T	T	T	T	T	T	T	T	T	T	T		
3200 A	T	T	T	T	T	T	T	T	T	T	T	T	T	T	T	T	T		

Serie	In	HAGER x160			HAGER x250	HAGER h250 L SI	HAGER h630 L SI (250 - 400 A)	HAGER h630 L SI (630A)		HAGER h1000 L SI		HAGER h1600		
		HDA	HHA	HNA	HNB	HNC	HND	HED	HND	HED	HNE	HEE	HNF	HEF
		18 kA	25 kA	40 kA	40 kA	50 kA	50 kA	70 kA	50 kA	70 kA	50 kA	70 kA	50 kA	70 kA
ATYS	125 A	T	T	30	17	15	14	14	-	-	-	-	-	
	160 A	T	T	30	17	15	14	14	-	-	-	-	-	
	200 A	T	T	30	17	15	14	14	-	-	-	-	-	
	250 A	T	T	T	T	25	25	25	-	-	-	-	-	
	315 A	T	T	T	T	25	25	25	-	-	-	-	-	
	400 A	T	T	T	T	25	25	25	-	-	-	-	-	
	500 A	T	T	T	T	T	T	55	32	32	34	34	22	22
	630 A	T	T	T	T	T	T	55	32	32	34	34	22	22
	800 A	T	T	T	T	T	T	40	40	40	40	40	25	25
	1000 A	T	T	T	T	T	T	T	T	T	T	T	40	40
	1250 A	T	T	T	T	T	T	T	T	T	T	T	40	40
	1600 A	T	T	T	T	T	T	T	T	T	T	T	T	T
	1800 A	T	T	T	T	T	T	T	T	T	T	T	T	T
2000 A	T	T	T	T	T	T	T	T	T	T	T	T	T	
2500 A	T	T	T	T	T	T	T	T	T	T	T	T	T	
3200 A	T	T	T	T	T	T	T	T	T	T	T	T	T	

* - Subjected to MCCB's short circuit current limiting curves reading precision and data.

T- coordination possible up to the Max Icu value of the breaker

Values are based on characteristics published by breaker manufacturers at the time of the publication. Socomec cannot be held responsible for any modifications of those characteristics or for non-performance of circuit breakers