



552932A



Socomec Resource Center
To download, brochures, catalogues
and technical manuals

ATyS a M

25 A - 63 A

Automatic Transfer Switching Equipment



Preliminary operations

Check the following upon delivery and after removal of the packaging:

- Packaging and contents are in good condition.
- The product reference corresponds to the order.
- Contents should include:
 - Qty 1 x ATyS a M
 - Qty 1 x Set of terminals
 - Quick Start instruction sheet

Warning

⚠ Risk of electrocution, burns or injury to persons and / or damage to equipment. This Quick Start is intended for personnel trained in the installation and commissioning of this product. For further details refer to the product instruction manual available on the SOCOMECE website.

- This product must always be installed and commissioned by qualified and approved personnel.
- Maintenance and servicing operations should be performed by trained and authorized personnel.
- Do not handle any control or power cables connected to the product when voltage may be, or may become present on the product, directly through the mains or indirectly through external circuits.
- Always use an appropriate voltage detection device to confirm the absence of voltage.
- Ensure that no metal objects are allowed to fall in the cabinet (risk of electrical arcing).

Failure to observe good engineering practices as well as to follow these safety instructions may expose the user and others to serious injury or death.

- ⚠** Risk of damaging the device
In case the product is dropped or damaged in any way it is recommended to replace the complete product.
Installation standards must be respected.

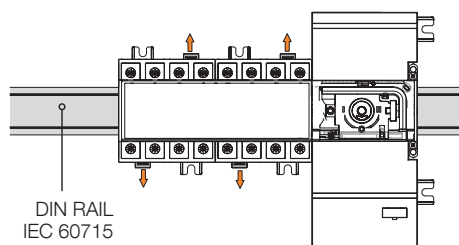
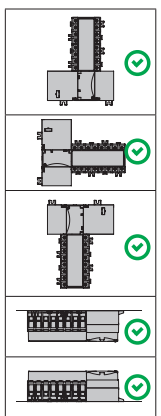
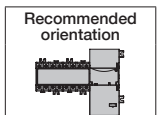
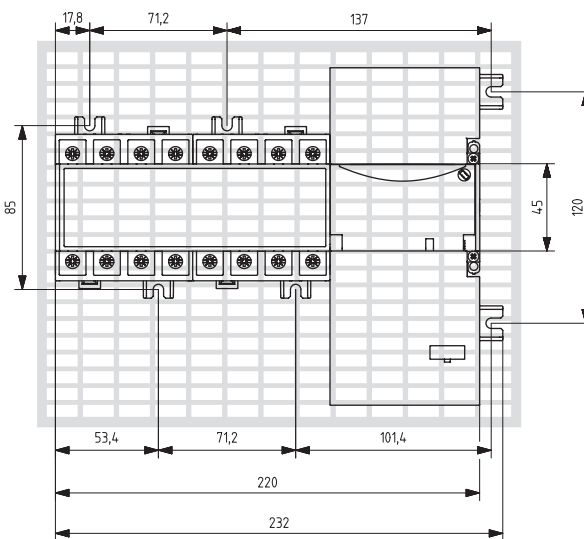
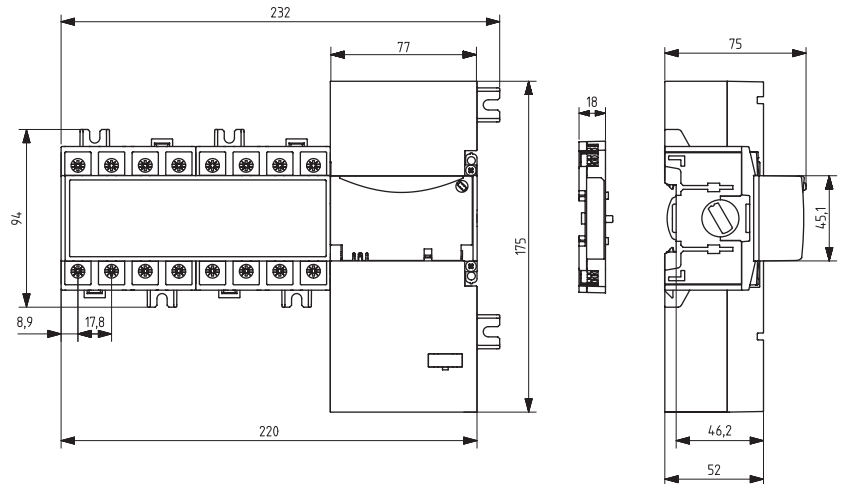
Accessories

- Bridging bars.
- Terminal shrouds.
- Auxilliary contact blocks.
- Optional modules.

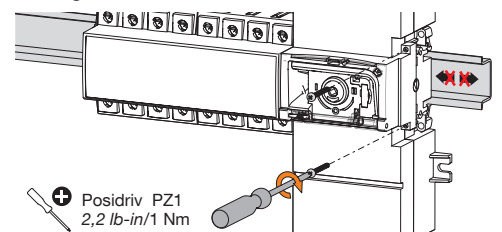
1 Installation

⚠ Caution: Ensure that the product is installed on a flat rigid surface.

Dimensions (mm)

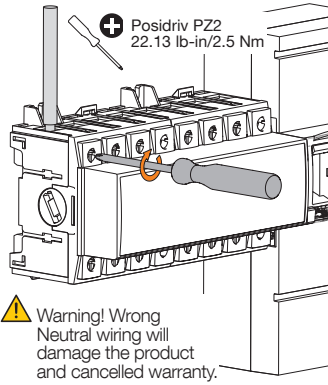


⚠ Tighten to avoid movement on the DIN rail.

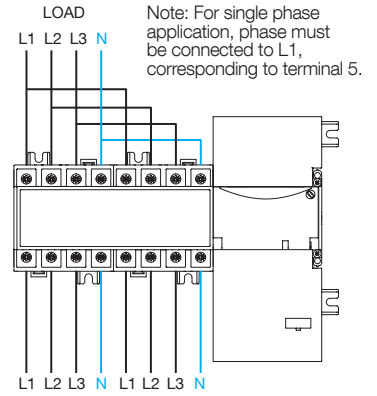
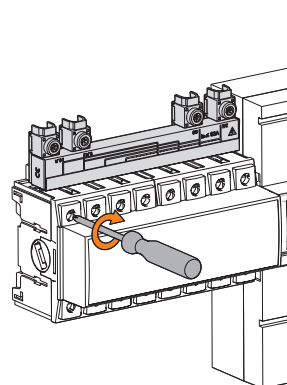
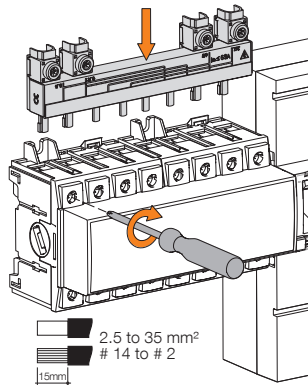


2 Power Terminal Connections

⚠ It is essential to tighten all used terminals, with cables and/or bridging bars, before use. Load side bridging bar : 20 - 63 A ref.: 9324 0001.



⚠ Warning! Wrong Neutral wiring will damage the product and cancelled warranty.

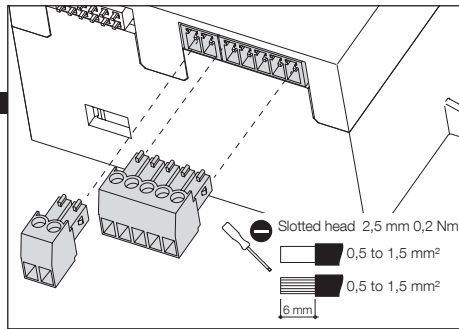
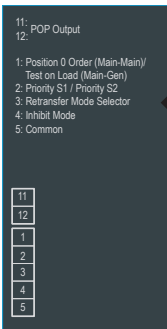


3 CONTROL / AUX POWER Terminals and wiring

Type	Terminal no.	Description	Characteristics	Recommended connection cross-section
Inputs	1	Position 0 order (Main-Main) Test on load (Main-GenSet)	Dry potential free contact	0,5 to 1,5mm ² (rigid & stranded)
	2	Priority S1 / Priority S2		
	3	Retransfer mode selector		
	4	Inhibition mode		
	5	Common		
Outputs	11/12	Product operational POP output	External 24Vdc±10% 20mA dc max	0.5 to 1.5 mm ² - LiYCY cables
Fire input optional module	-	24Vdc fire input signal	8.6 - 28Vdc	
GenSet output optional module	-	GenSet start and stop management	NC - 230Vac/3A	
RS485 optional module	-	Modbus RTU communication	Non isolated	
Auxiliary contacts unit.	11/12/14	Position I	Dry potential free contact 250Vac 5A AC1 24Vdc 2A	0.5 to 2.5 mm ² (rigid) 0.5 to 1.5 mm ² (stranded)
	21/22/24	Position II		
	01/02/04	Position 0		

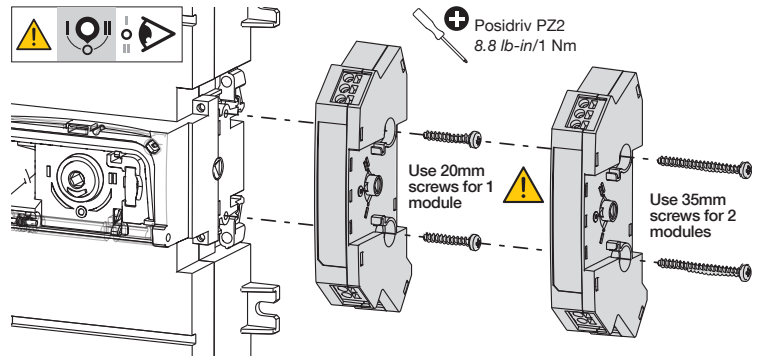


Ensure that the product is in Manual Mode (front cover open).



Auxiliary contacts: Fitting of auxiliary contacts: 1309 1001

To fit an auxiliary contact, the switch must first be put in position 0. An auxiliary contact module comprises one NO/NC changeover contact for each position (I-0-II). To install use the long screws supplied with the module.



4 Check

Whilst in manual mode, check the wiring and if ok power up the product.



6A Automatic operation

Close the front cover as shown to put the product into automatic mode.



5 Programming

Programming settings on ATyS a M have been set.

Product is configured for 3 phase + neutral 400Vac network.

Neutral for both sources will be placed on the left as indicated on the ATSE device.

Thresholds:
- Voltage: +/-20%, hysteresis +/-15%
- Frequency: +/-10%

Source 1 has been set as priority source.

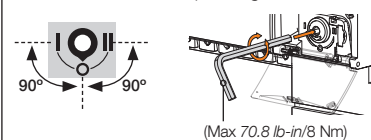
Fail timer as well as Return timer has been set to two seconds, for both sources.

6B Manual operation

• Open the front cover as shown to put into manual mode.



• Use the handle situated in the front panel under the cover to operate the transfer switch.
• Check the changeover switch position on the indicator before operating.

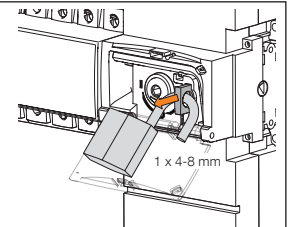


6C Padlocking mode

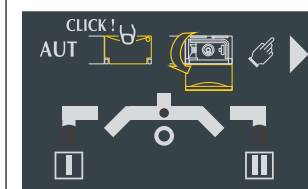
• In order to padlock put the product in manual mode.



• Pull the locking mechanism and insert a padlock as shown.



6D Source availability LED's



SOURCE	☐	☐
LED ON	Source 2 available	Source 1 available
LED OFF	Source 2 not available	Source 1 not available
LED blinking	Voltage presence but out of tolerance	

